

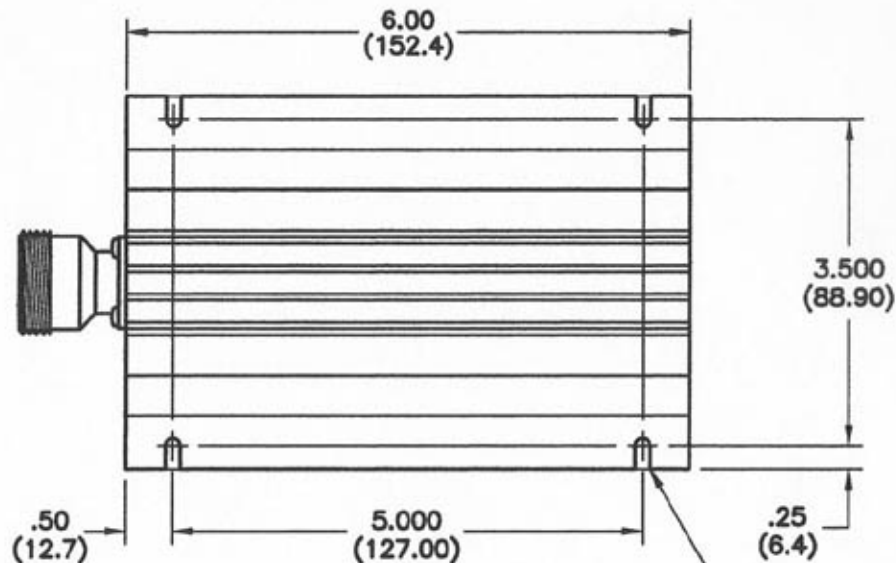
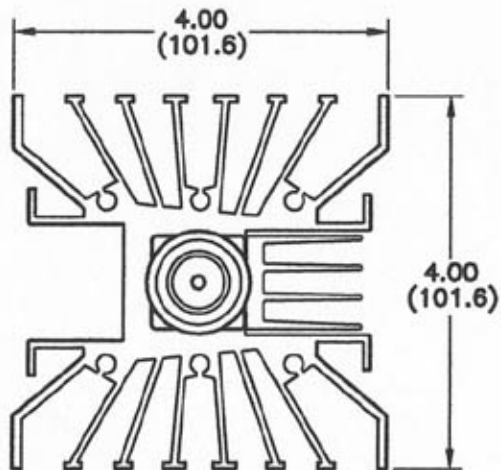
4

3

2

1

REVISIONS					
REV	ZONE	DESCRIPTION	DATE	BY	ECO



SPECIFICATIONS

FREQUENCY RANGE - DC TO 6.0 GHz

IMPEDANCE - 50 OHMS

VSWR (DC - 2.0 GHz) - 1.20:1

(2.0 - 4.0 GHz) - 1.35:1

(4.0 - 6.0 GHz) - 1.40:1

INPUT POWER (AVG.) - 100 WATTS

(PEAK) - 2000 WATTS

CONNECTOR TYPES - BNC, TNC, N, SMA, 7/16 DIN
PLUG OR JACK
(7/16 DIN JACK SHOWN)

.156(3.96) WIDE SLOT, 4 PLACES
TOP AND BOTTOM OF UNIT

DIMENSIONS: INCHES
(MILLIMETERS)

TOLERANCES		THE INFORMATION CONTAINED IN THIS DOCUMENT IS THE PROPERTY OF MICROWAVE DEVICES, INC. AND IS PROPRIETARY. IT IS NOT TO BE COPIED OR USED FOR ANY PURPOSE OTHER THAN AS INSTRUCTED, IN WRITING, BY MICROWAVE DEVICES, INC.	SIGNATURES		DATE
DECIMAL ± .05	FRACTION ±		DR	G.V. Cothron	12-1-08
HOLES ± .010	ANG ±		CHK		
MATERIAL			APPD		
FINISH		APPD			

MICROWAVE DEVICES
RF and Microwave Components

OUTLINE, MODEL 6100-7F-6
COAXIAL TERMINATION

CAGE CODE 60674 B SIZE B DRAWING NO. 900778-2
DRAWING SCALE 1:1 SHEET 1 OF 1

CONTACT: MICROWAVE DEVICES - 1150 N. GRAHAM RD.
(517) 736-8833 FRANKLIN, IN 46131

DIMENSIONS ARE IN INCHES UNLESS OTHERWISE SPECIFIED.

4

3

2

1